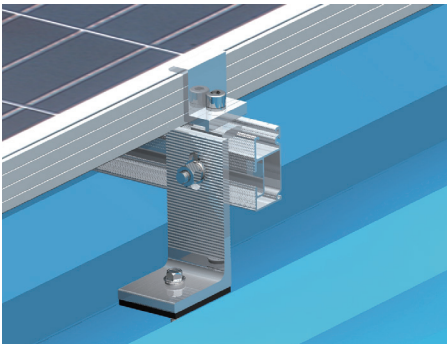
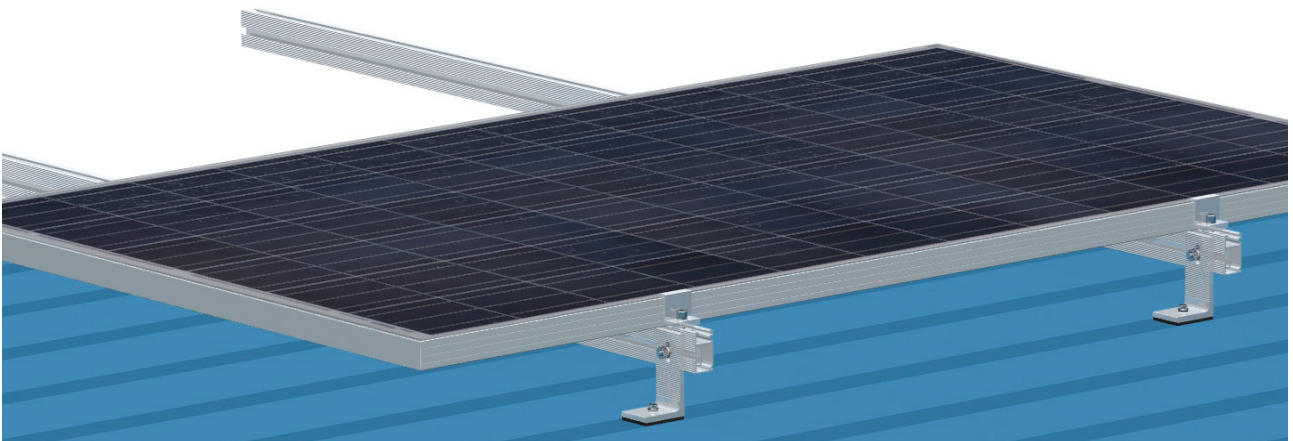


MRA2-TD

Tin roof mounting system

MR2TD Suit for T-type Tin roof, according to purlin choosing tapping screw or wooden screw.

10 Years



88 m/s

200 mm

Standard

JISC 8955:2017
GB 50009-2012
GB 50797-2012

Acceptance standard



Data

1. Material: AL6005-T5
2. Bolt material: SUS304
3. Wind load: 88m/s
4. Standard snow : 200mm
5. Max snow :800mm

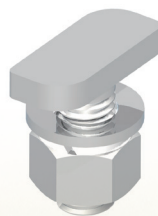
Components



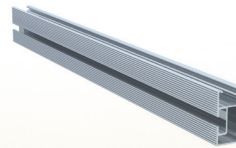
L-foot



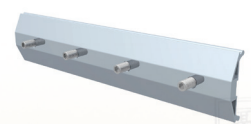
Tapping screw



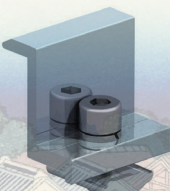
T-bolt



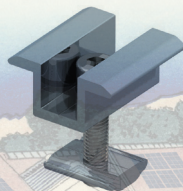
Rail



Rail joiner



End clamp



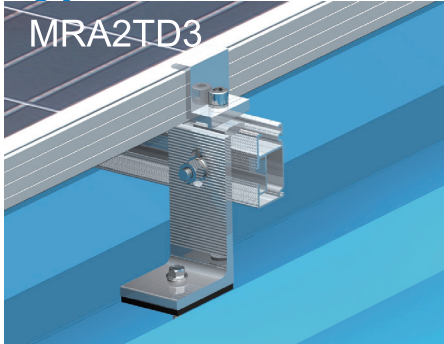
Mid clamp

富士山
眺望不二
木崎町
水崎町

MRA2-TD

Tin roof mounting system

Types



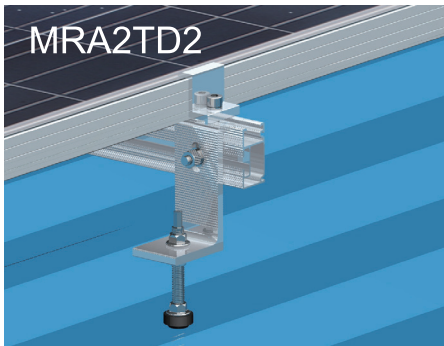
L-feet AS45



Tapping screw



T-bolt



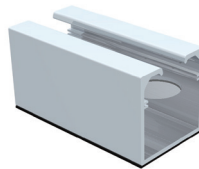
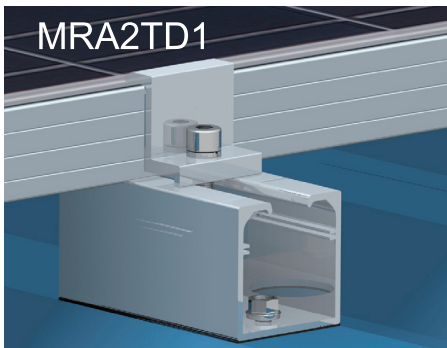
L-feet 6FL0045A



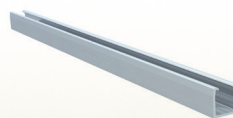
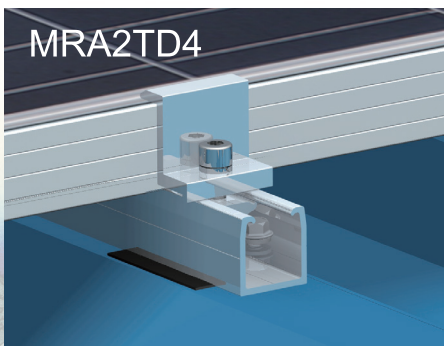
Hanger bolt M10X200



T-bolt



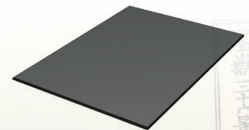
Railless type
45L0100A



U-rail



Tapping screw



Waterproof rubber